

Secto Design Oy  
Kauppalaantie 12  
02700 Kauniainen  
Finland  
tel. +358 9 5050598  
fax +358 9 5475 2535  
info@sectodesign.fi  
www.sectodesign.fi

# Secto Design



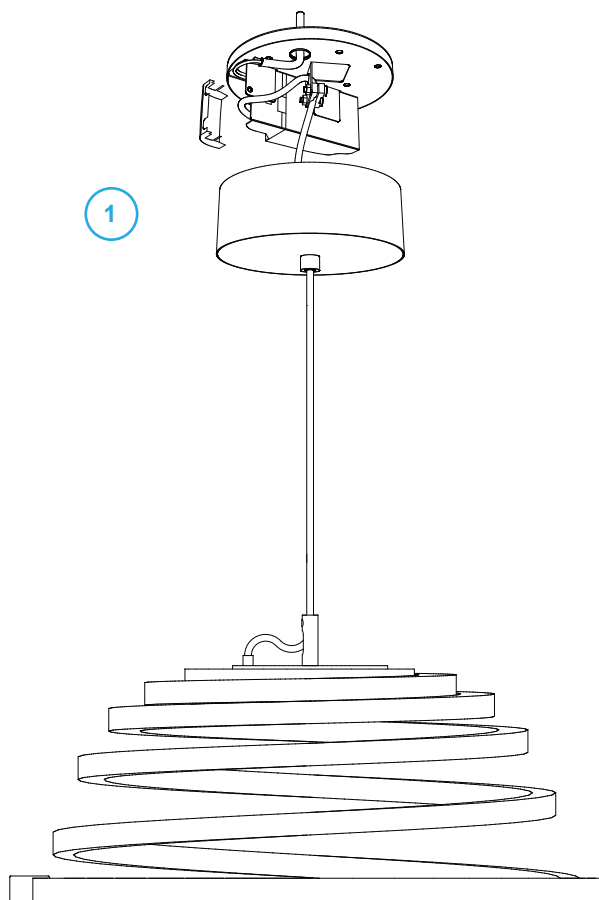
**Aspiro 8000 pendant**  
natural birch

- A freely falling spiral shaped pendant
- The shade is made of birch
- Only available in natural birch finish, the cable color can be chosen between a red or black textile cable
- Height of the shade ~ 25 - 35 cm, diameter 50 cm, weight 3,3 kg
- Standard length 200 cm, max 300 cm, heat-resistant, red or black textile cable.
- Black round ceiling cup. Comes with a ceiling plug
- Light source (included): LED, 13W, 2800K, min. 600 lm, trailing edge dimmable.
- Power source: GE/Lightech, trailing edge dimmable
- A black round ceiling box, size of the box is 140 x 53 mm
- International Protection Rating: IP20
- Dimension of the box: 13 x 53 x 52 cm, 4,7 kg

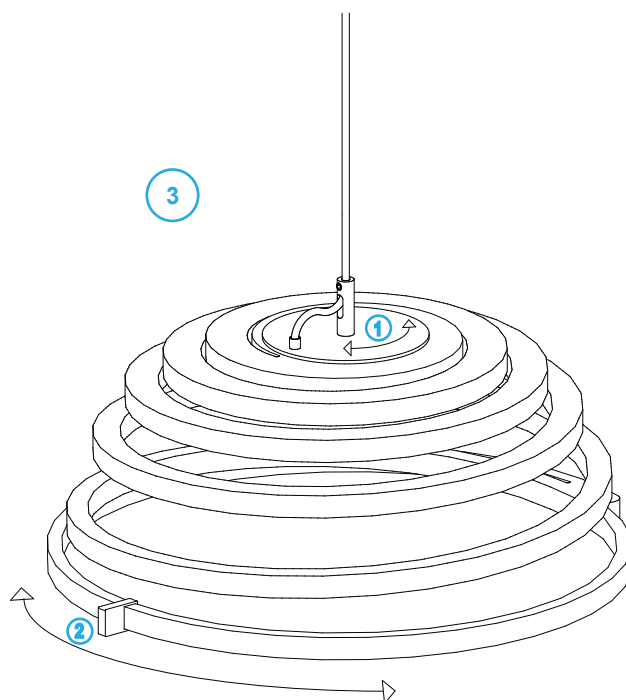
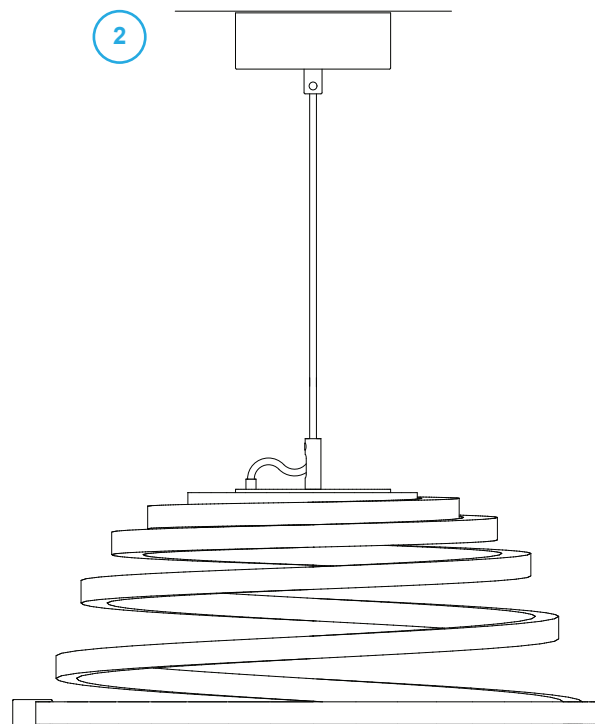
# Secto Design

## Aspiro 8000 pendant light riippuvalaisin

## Technical specifications Assembly instructions Asennusohjeet



non-user replaceable light source

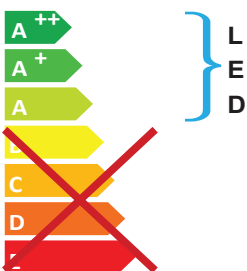


Adjust the balance  
*Tasapainon säätö*

SECTO DESIGN ASPIRO 8000



This luminaire contains built-in LED lamps.



The lamps cannot be changed in the luminaire.

3000 Kelvin  
13W  
600 lm  
40 000 h



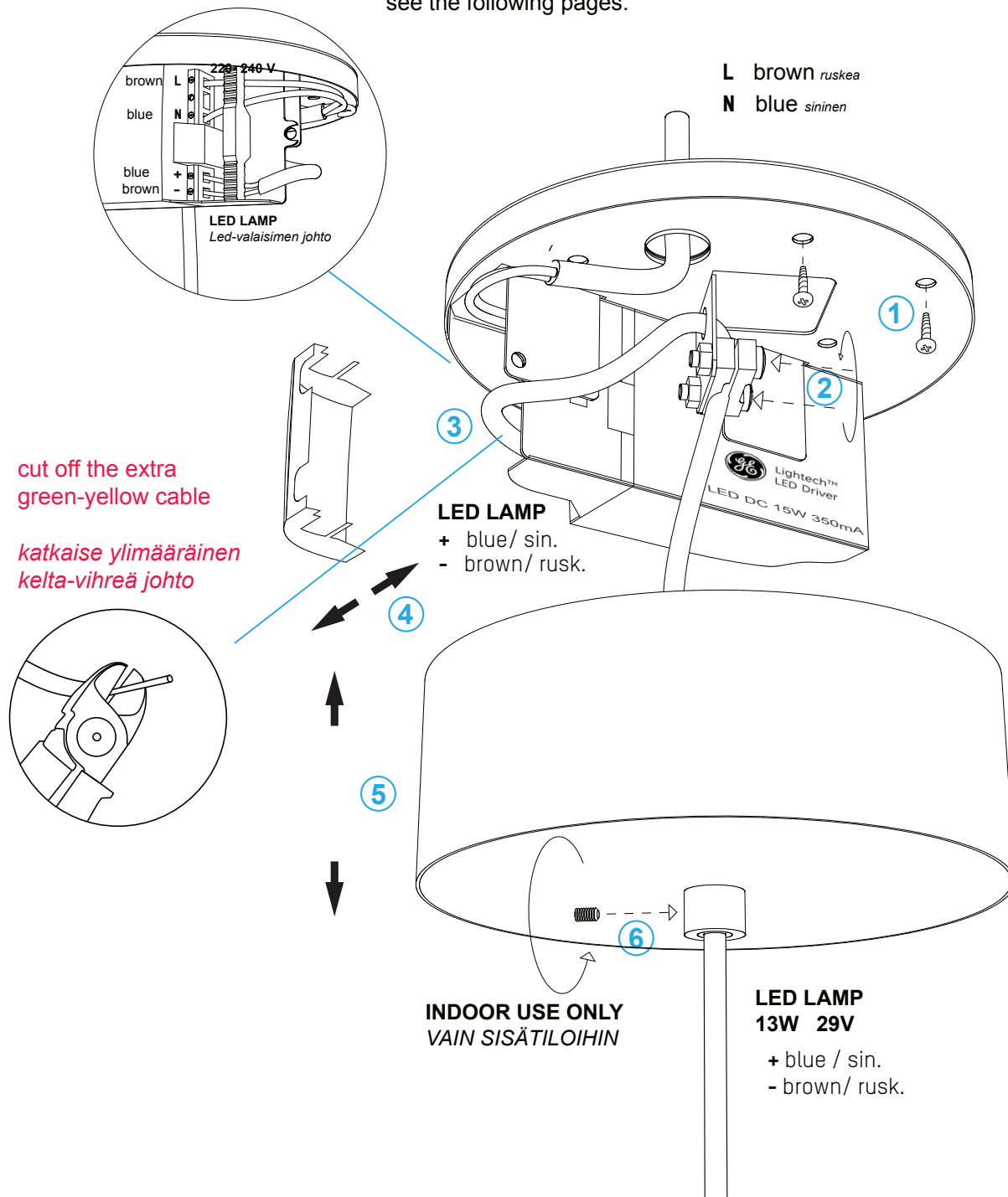
874/2012

Secto Design Oy  
Kauppalantie 12 02700 Kauniainen, Finland  
Tel. +358 9 5050 598, Fax +358 9 5475 2535  
info@sectodesign.fi, www.sectodesign.fi

Install in accordance with national and local electrical codes.  
All installation works must be performed with professional personnel.

Asennetaan Suomen sähköstandardien mukaisesti.  
Asennus tulee suorittaa vain sähköalan ammattilaisen toimesta.

For more specific instructions  
see the following pages.



Power us	13W
Voltage	220 240V 50/60 Hz
Output	29V 350 mA
Cord length	Standard 2 m, max 3 m, black or red textile cable Standardi 2m, maks. 3m, musta tai punainen tekstiilijohto
Power supply	GE/Lightech, trailing edge dimmable, <i>himmennettävissä</i> (for more info, check the next page) <i>lisää tietoa seuraavalla sivulla</i>
Power box	black ceiling cup 140 x 55 mm musta kattokuppi



RoHS  
WEEE





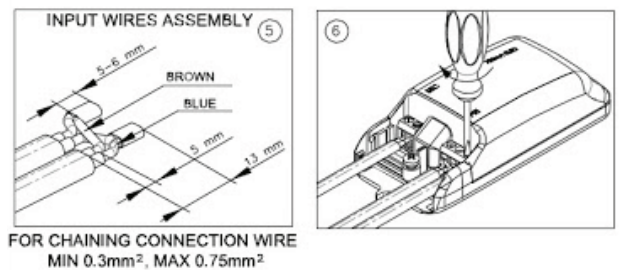
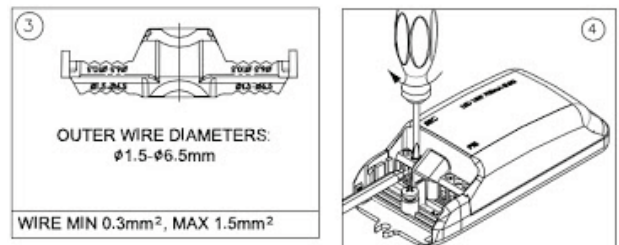
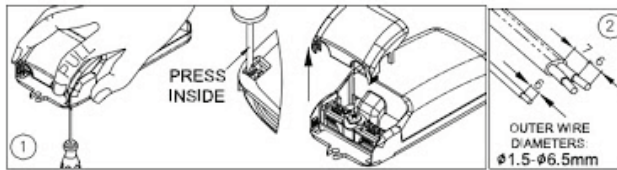
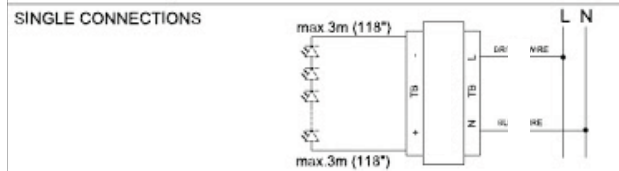
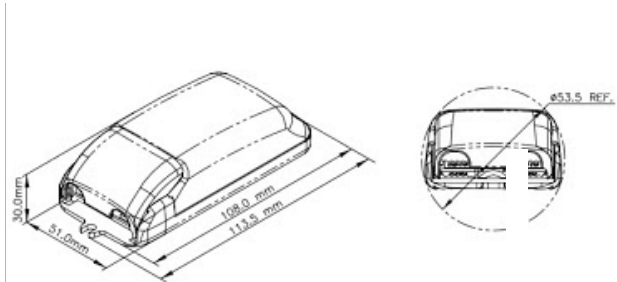
# Lightech™ LED Driver

## LED DC 15W 350mA

901015350ELBD

LED Driver DC CC, Terminal Block

Current: DC



## Specs

Power: 15.0 W

## Input specs

Power factor: 0.9  
 Input current: 0.12-0.12 A  
 Input frequency: 50 Hz  
 Input voltage: 220.0-240.0 V  
 Efficiency: 80 %

## Output specs

Output current: 350.0 mA  
 Output voltage range: 21-50 V

## Protections

Over temperature protection: true  
 Reinforced insulation: true  
 Input voltage surge protection: true

## Environment

Ta min: 0.0 °C  
 IP : 20  
 Ta max: 45.0 °C  
 Tc: 75.0 °C  
 Storage temp.: -10...50 °C

## Standards

CE: true  
 SELV: true

## Mechanical

Case color: white  
 Weight: 0.086 kg  
 Case material: Plastic

## Dimmable

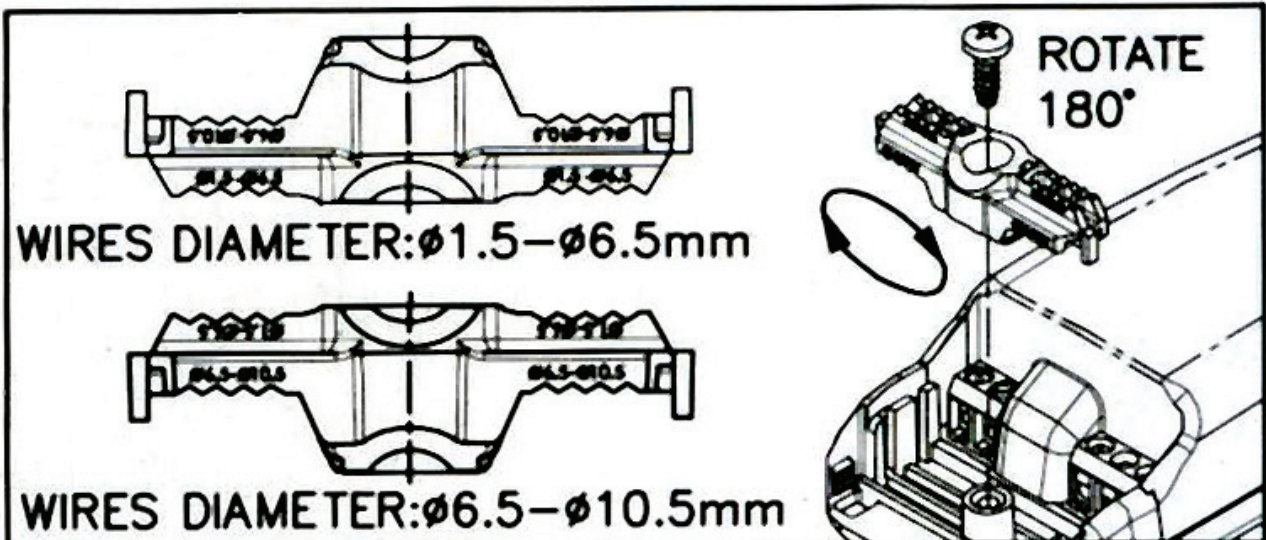
Dimmable: trailing edge type of a dim

### Recommended dimmer models in Finland:

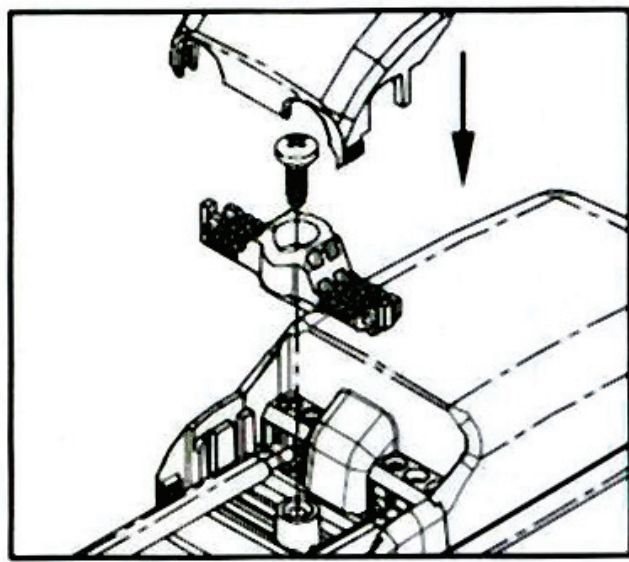
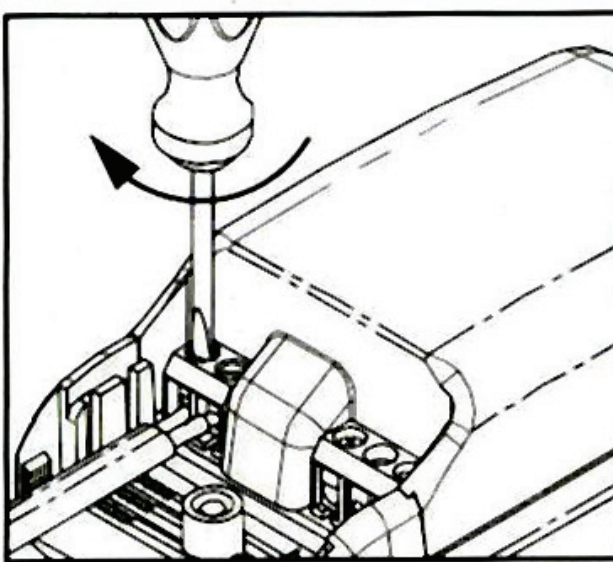
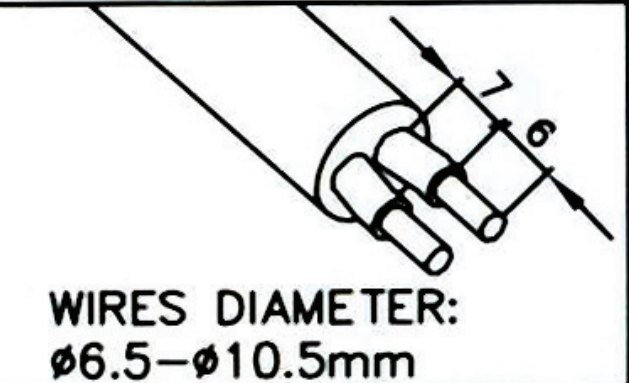
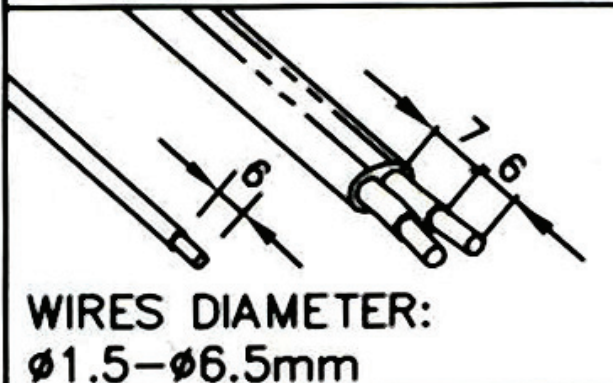
Schneider / Artic ATD315R  
 Art numero: CCTFL12011  
 EAN: 3606480297373  
 Sähkönumero: 3512439

ABB/ Valonsäädin, kiertonuppisäädin LED, Jussi  
 Art numero: 6523UJGK - 214  
 EAN: 4011395151334  
 Sähkönumero: 2619344

Please note these are the models in Finland, check with your local electrician for an equivalent in your country!



WIRE MIN  $0.75 \text{mm}^2$ , MAX  $2.0 \text{mm}^2$



Notes:

- Specifications may vary without notice
- Always consult National, State and local electrical codes
- Parameters are measured at rated output, rated load and at an ambient temperature of  $25^\circ \text{C}$
- Expect slight variation including component tolerance, setup tolerance, line regulation and load regulation
- Where grounding/earthing is not indicated, avoid grounding/earthing or contact with grounded/earthed metal enclosures
- Performance with dimmers, where supported, may vary depending on dimmer model
- Subject to limited warranty (3yr for transformers, 5yr for drivers) terms and conditions as published from time to time