

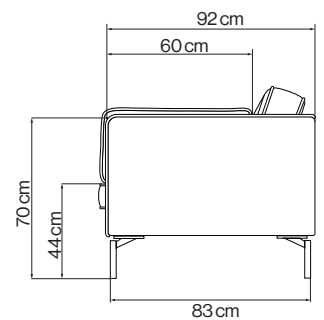
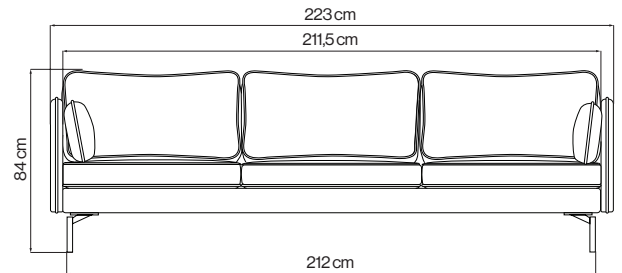
polspotten



Sofa PPno.2 XL

Fact Sheet

The PPno.2 XL Sofa makes for an ideal furniture choice for medium to large lounge spaces. Available in an array of vibrant colours – the XL sofa is a powerful, playful, and comfortable statement piece. The fabric has a luscious hand-feel, the frame is made of solid beech wood and metal, and the cushions are high resilience foam – it's a combination made to last. Qualified for contract use.



Design by	polspotten studio 2020
About the designer	This item is designed in our very own polspotten studio.
Category	Furniture – Sofas
Environment	Indoor
Preassembled	No, the legs are packed separately
Material & Finish	Frame: the frame is made of solid beech wood and Plywood with Nozag springs. The wood that has been used is carefully dried to prevent it from cracking. Legs: The legs are made of matt black powder-coated metal Back cushions: The back cushions are filled with polyester fiber balls and shredded foam.
Gliders	Plastic gliders are mounted
Upholstery	The PPno.2 series are standard available in the following upholstery: Velvet Diamond 100% polyester / >100.000 martindale / color fastness level 5 Smooth Bermuda 84% polyester / 16% acrylic / >100.000 martindale / color fastness level 5
Cleaning & Care	Care and maintenance instructions can be downloaded on the product page of this item at webshop.polspotten.com or contact your account manager for more specific cleaning & care information.
Spare parts	The spare parts below are available upon order. - Plastic gliders - Back cushion - Seat cushion - Legs - Decorative cushion - Screws

Packaging

Packed in a combination of carton, hardboard and plastic wrap. Size: 226 x 94 x 56 cm Weight: 68,8 kg

Downloads

3D files, mood images and packshots are available at the product page of the item at polspotten.nl

Made-to-order

Non-standard fabrics or colours are made-to-order against a minimum order quantity of 10 pieces. Upholstery supplied by the customer must always be tested by us in advance to see if it can be applied to our furniture. Please contact your account manager for a specific custom made request.

Textile use for customized upholstery

9,5 meter with fabric width of 1,4 meter

Test & Certification

Smooth Bermuda fabric: Fire retardant BS5952 Source 0 cigarette proof
Velvet Diamond fabric: Fire retardant BS5952 Source 0 cigarette proof

Velvet Diamond Upholstery

552-020-021 Rust
552-020-020 Gold
552-020-019 Brown



Smooth Bermuda Upholstery

555-020-039 Beige
555-020-038 Dark Grey

